

Notification Appliances

'SLFS' and 'SLFSS' Series – Low-Frequency Sounders | Sounder-Strobes

Applications: Indoor, Wall-Only

Architect & Engineer Specifications

- Sophisticated series of notification appliances that meets fire-industry codes and regulations for commercial-building applications
- Compatible with the Siemens 50-point, 252-point and 504-point addressable fire alarm control panels (FACPs), and with:
 - Siemens Modular FACPs
 - Siemens PAD-series of NAC extenders
 - FireFinder® XLS / XLSV FACPs
 - Siemens dual-sync control (DSC) modules
- Innovative LED strobe technology provides an energy-efficient means for a significantly reduced current draw
 - Means to have existing Xenon and new LED strobes in the same field-of-view
 - 110cd Candela setting for Model 'SLFSS'-series sounder-strobes
 - "110cd" is labeled on the outer edge, right-hand side, just above the temporal-setting adjuster
- Straightforward installation coupled with compact, modern design
 - Built-in level adjustment component with snap-on grille front cover
 - Manual (index finger) slide-setting adjuster
- Four (4) temporal-pattern settings in each notification appliance
 - 'T3' (for FIRE) setting
 - 'T4' (for CO) setting
 - Continuous (coded) dual-sync setting ('T3' / 'T4') for FIRE with CO
- Dual, low-frequency sounder codes in each appliance
 - Meets NFPA-72 for Fire-Alarm and Carbon Monoxide
- UL (2034 | 1971 | 464) Listed, ULC (-S525 | ULC-S526) Listed
 - ADA | NFPA | ANSI | OSHA compliance

Product Overview

Siemens is now offering low-frequency sounder-strobes to its notification-appliances portfolio. Formed as the 'SL'-series, these technologically advanced sounder-strobes meet National Fire Protection Association (NFPA) requirements for recognized sleeping areas within a commercial building:

- NFPA-72 for fire alarm
- NFPA-72 for Carbon Monoxide (CO) alarm

In a single device, the 'SL'-series can provide alarm-signaling tones for dual applications:

- Temporal 3 pattern, (T3 – FIRE)
- Temporal 4 pattern, (T4 – CO)

Additionally, each Model 'SL' sounder-strobe has an advanced, power-saving light-emitting diode (LED) technology with three (3) modes of 520 Hertz operation (for the sounder portion of these notification appliances) –

- T3 – FIRE
- T4 – CO
- Continuous (coded) dual-sync (T3 / T4) control for FIRE and CO signaling

Synonymous to the current Siemens 'LFS'-series of sounder-only notification appliances, the 'SL'-series of sounder-strobes are produced in a sleek, modern design. Its fitting provides high-quality energy efficiency in an aesthetically pleasing, low-profile design that is consistent to the look of the interior composition of the building application.

The inclusive trim plate makes for easy installation for retrofit projects that already have backboxes installed. The 'SL'-series is apt for indoor wall-mount applications. Moreover, the Series 'SLFS' and 'SLFSS' models, which operate on 24VDC, are designed specifically for indoor, wall-mount applications.

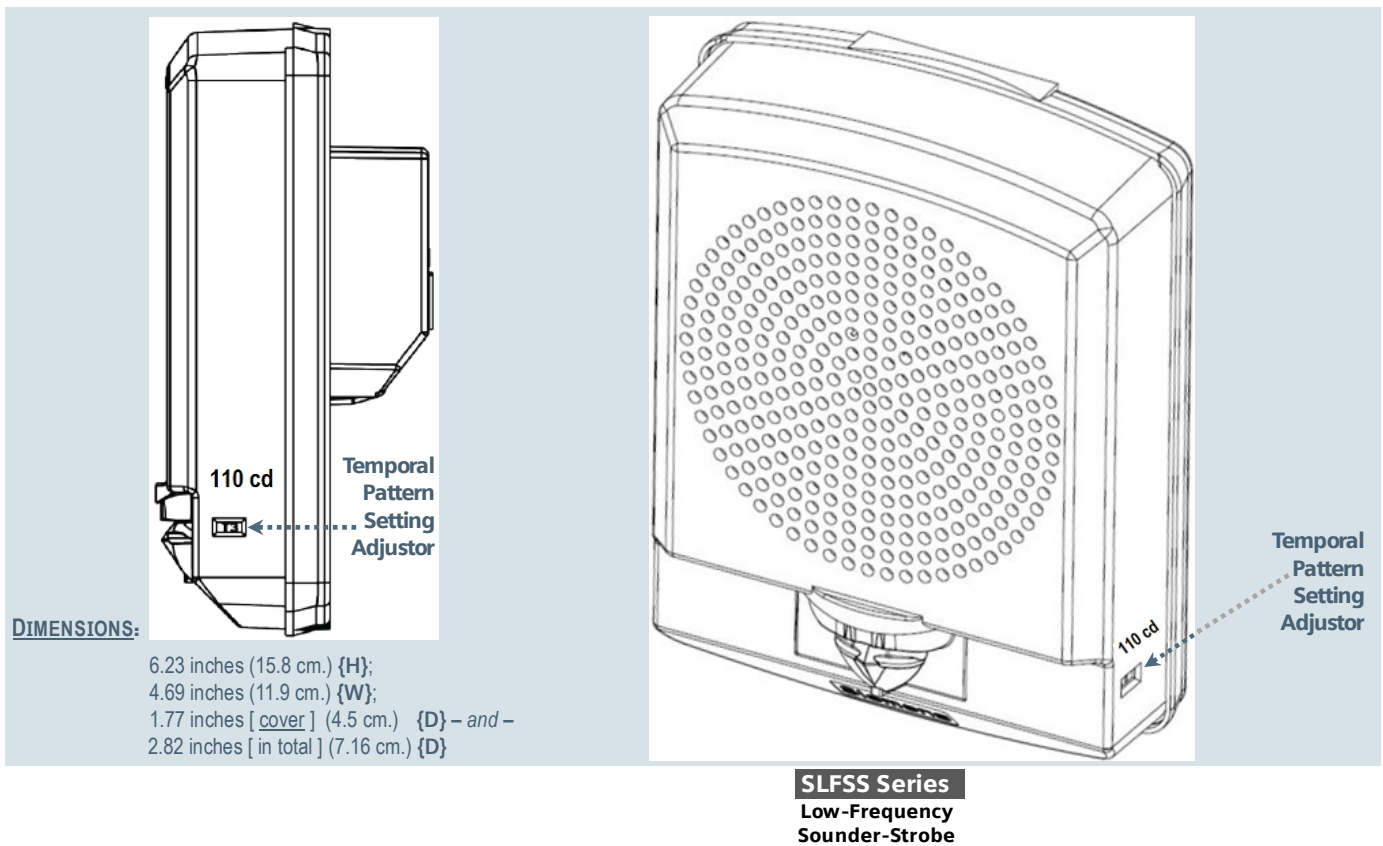


Model SLFSSWW-N
Sounder-strobe



Model SLFSSWR-N
Sounder-strobe





Specifications

In terms of composition and functionality, Models `SLFS`-series and `SLFSS`-series provide added value to the installer for the types of applications for operation:

- Compact | sleek | low-profile design
- Comprehensive feature list
- Convenient mounting options
- Multiple 520 Hz modes of operation
- Easy-to-adjust selection-slider switch for Temporal Pattern
 - No tools required for setting changes
 - All Model sounder-strobes include an 110cd setting
- Reduced current draw, via cutting-edge LED technology

The LED portion of the Siemens `SL`-series of sounder-strobes meets the 20 millisecond light-pulse-duration requirements of the 2016 edition of NFPA 72. By meeting this latest requirement, existing Xenon as well as the new LED-technology devices can now be in the same field-of-view. In addition to the launched product line of Siemens `SL`-series of sounder-strobes, Siemens also offers an existing range of products with low-and-high Candela settings that meet retrofit and new-construction applications.

The Siemens `SL`-series of sounder-strobes have received UL / ULC Listed status by attaining compatible testing standards with all of the Siemens fire-alarm control panels (FACPs) and accessories that have been determined to be aligned with existing Siemens strobe-based appliances.

This would include the following existing model-types: `CH` | `HS` | `MTH` | `S-HQ` | `AS` | `SE` | `SEF` | `SET` | `ST` | `STH` | `ZR` and `ZH` Series notification appliances. The regulatory listing also includes the capability for installing the Siemens `SL`-series sounder-strobes in the same notification zone and field-of-view with any existing Siemens Notification Appliance Xenon-based strobes.

All types of these low-frequency sounders and sounder-strobes are UL Listed (for indoor use under Standard 1971 and 464), as well as ULC-S525 | ULC-S526 Listed. The Siemens `SL`-series sounder-strobes also have FCC | RoHS and ICES approval.

Electrical Ratings

Output Current Draws

Sounder-Strobe Current Ratings		
Direct Current (DC) in Amps		
MODEL 'SLFSS' SERIES:	Setting	16.0 – 33.0 VDC @ 110cd
	Continuous	0.290
	Temporal 3	0.290
	Temporal 4	0.290
	Temporal 3 / Temporal 4	0.290

Sounder Current Ratings		
Direct Current (DC) in Amps		
MODEL 'SLFS' SERIES:	Setting	16.0 – 33.0 VDC
	Continuous	0.098
	Temporal 3	0.098
	Temporal 4	0.098
	Temporal 3 / Temporal 4	0.098

^aRMS current ratings are per UL maximum RMS method.
UL max current rating is the maximum RMS current within the listed voltage range (16-33V)

^aFor strobes, the UL max current is usually at the minimum listed voltage

^aFor audible appliances, the max current is usually at the maximum listed voltage

^aFor unfiltered FWR ratings, see installation instructions

GENERAL NOTES:

1. Strobes are designed to flash at 1-flash-per-second minimum over their "Regulated Voltage Range."
2. NFPA-72 specifies a flash rate of 1-to-2 flashes-per-second, and guidelines for the Americans with Disabilities Act (ADA) specify a flash rate of 1-to-3 flashes-per-second.
3. All Candela ratings represent minimum effective Strobe intensity based on UL 1971.

SETTINGS:

- The 520 Hz tone is generated within the actual notification appliance.
- When the selector switch is set for **T3** or **T4**, the sound pattern is also generated within the notification appliance. When the selection switch is set to **Continuous**, the product is listed for coded operations.
- The **T3 / T4** pattern (or any of the three other patterns) pattern must be generated by the Siemens FACP, according to the FIRE or CO 'Alarm' condition initially received by the Siemens FACP.

Sounder / Sounder-Strobes – Sound Pressure Level (SPL)

UL Sound Output Ratings (dBA)				
Reverberant per UL464 @ 10 feet				
MODELS 'SLFS' – and – 'SLFSS' SERIES:	Setting	16.0 VDC	24.0 VDC	33.0 VDC
	Continuous	80	80	80
	Temporal 3	76	76	76
	Temporal 4*	85	85	85
	Temporal 3 / Temporal 4*	76 / 85	76 / 85	76 / 85

ULC Sound Output Ratings (dBA)				
Anechoic* per ULC-S525-16 @ 3.05 meters				
MODELS 'SLFS' – and – 'SLFSS' SERIES:	Setting	16.0 VDC	24.0 VDC	33.0 VDC
	Continuous	80	80	80
	Temporal 3	80	80	80
	Temporal 4	80	80	80
	Temporal 3 / Temporal 4	80	80	80

* Code 4 (CO) temporal setting rated, per UL2034

* For dwelling use only

Technical Data

General Properties

MODEL 'SL'-series	
OPERATING TEMPERATURE:	<ul style="list-style-type: none"> • 32°F (0°C) to 122°F (50°C) • for indoor-applications' use only
RELATIVE HUMIDITY:	93%, maximum
OPERATING VOLTAGE RANGES:	16.0 24.0 and 33.0 VDC
STROBE OUTPUT RATING:	<ul style="list-style-type: none"> • UL 1971: 110 Candela output • 110cd Candela setting for Model 'SLFSS'-series sounder-strobes
STROBE FLASH RATE:	Strobes are designed to flash at one-flash-per-second
STROBE SYNCHRONIZATION:	<ul style="list-style-type: none"> • all Siemens addressable panels • Siemens PAD-series NAC extenders • Siemens dual-sync (DSC) modules, which provide the unique Siemens proprietary synchronization protocol
TEMPORAL PATTERN:	<ul style="list-style-type: none"> • Continuous • Code 3 (1/2 second on, 1/2 second off; followed by 1/2 second on, 1-1/2 second off and repeat) • Code 4 • Code 3 / Code 4 Sync Control <p>NOTES: The Code 3 pattern is specified by ANSI and NFPA 72 for Standard Emergency Evacuation Signaling. The Code 4 temporal pattern (four {4} cycles of 100 milliseconds ± 10 percent "ON" and 100 milliseconds ± 10 percent "OFF," followed by 5 seconds ± 10 percent "OFF") is specified by NFPA 72.</p>

Physical Properties

MODEL 'SL'-series	
MATERIAL:	<ul style="list-style-type: none"> • White-or-red textured, ultraviolet (UV) stabilized, colored impregnated engineered plastic • Exceeds 94V-0 UL flammability rating
WEIGHT:	1.10 Lbs. (0.5 Kg.)
LENS TYPE:	LED strobe situated in a rugged Lexan lens
DIMENSIONS:	6.23" (15.8 cm.) { H }; 4.69" (11.9 cm.) { W }; 1.77" (4.5 cm.) { D } for the actual front cover; 2.82" (7.16 cm.) { D } for the cover and speaker

Mounting and Wiring Properties

MODEL 'SL'-series	
INDOOR MOUNTING:	<ul style="list-style-type: none"> • Wall-mount applications for sounder strobe (Model SLFSS) • Wall and ceiling-mount applications for the Model SLFS sounder. • Trim plate for backbox included in all SLFSS / SLFS appliances; as well as in Siemens Model SLFBB backboxes and 4" (10.2 cm.) square backboxes
WIRING TYPE:	#12 – #18, American Wire Gauge (AWG)

Details for Ordering

MODEL	PART NUMBER	LOW FREQUENCY APPLIANCE TYPE	MOUNTING TYPE	UL	ULC	STROBE TYPE	FACEPLATE COLOR	FACEPLATE LETTERING
SLFSWR-F	S54329-F56-A1	Sounder	WALL	✓	—	– None –	RED	FIRE
SLFSWW-F	S54329-F56-A2	Sounder	WALL	✓	—	– None –	WHITE	FIRE
SLFSWR-CO	S54329-F57-A1	Sounder	WALL	✓	✓	– None –	RED	CO
SLFSWW-CO	S54329-F57-A2	Sounder	WALL	✓	✓	– None –	WHITE	CO
SLFSWR-AL	S54329-F58-A1	Sounder	WALL	✓	✓	– None –	RED	ALERT
SLFSWW-AL	S54329-F58-A2	Sounder	WALL	✓	✓	– None –	WHITE	ALERT
SLFSWR-N	S54329-F59-A1	Sounder	WALL	✓	✓	– None –	RED	– None –
SLFSWW-N	S54329-F59-A2	Sounder	WALL	✓	✓	– None –	WHITE	– None –
SLFSSWR-F	S54329-F60-A1	Sounder-Strobe	WALL	✓	—	Clear	RED	FIRE
SLFSSWW-F	S54329-F60-A2	Sounder-Strobe	WALL	✓	—	Clear	WHITE	FIRE
SLFSSWR-CO	S54329-F61-A1	Sounder-Strobe	WALL	✓	✓	Clear	RED	CO
SLFSSWW-CO	S54329-F61-A2	Sounder-Strobe	WALL	✓	✓	Clear	WHITE	CO
SLFSSWR-AL	S54329-F62-A1	Sounder-Strobe	WALL	✓	✓	Clear	RED	ALERT
SLFSSWW-AL	S54329-F62-A2	Sounder-Strobe	WALL	✓	✓	Clear	WHITE	ALERT
SLFSSWR-N	S54329-F63-A1	Sounder-Strobe	WALL	✓	—	Clear	RED	– Blank –
SLFSSWW-N	S54329-F63-A2	Sounder-Strobe	WALL	✓	—	Clear	WHITE	– Blank –
SLSBBR	S54329-F21-A1	Backbox	WALL	✓	✓	– None –	RED	– None –
SLSBBW	S54329-F21-A2	Backbox	WALL	✓	✓	– None –	WHITE	– None –

NOTICE – The information contained in this data-sheet document is intended only as a summary, and is subject to change without notice. The product(s) described here has/have a specific instruction sheet(s) that cover various technical, limitation and liability information.

Copies of install-type, instruction sheets – as well as the *General Product Warning and Limitations* document, which also contains important data, are provided with the product. All are available from the Manufacturer.

Data contained in the aforesaid type of documentation should be consulted with a fire-safety professional before specifying or using the product.

Any further questions or assistance concerning particular problems that might arise, relative to the proper functioning of the equipment, please contact the Manufacturer.



Siemens Industry, Inc.
Building Technologies Division
8 Fernwood Road • Florham Park, NJ 07932
Tel: (973) 593-2600

October 2018 – Supersedes sheet dated 4/2018
(Rev. 2)